



MERAPI PIPELINE PRODUCT

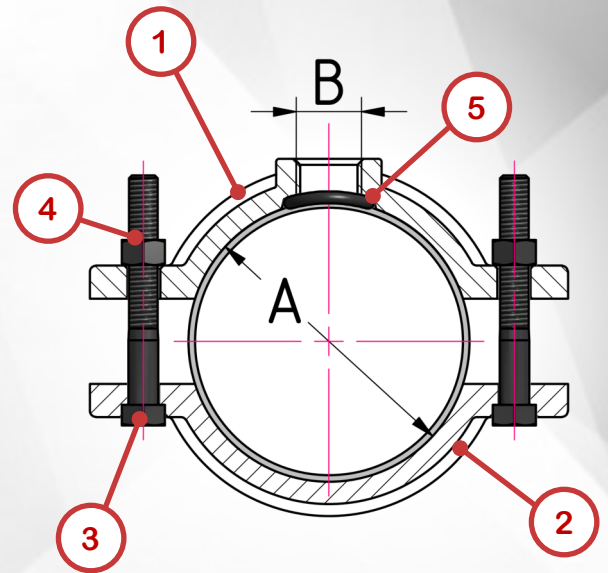
CATALOG 2022



Produced by :

CV MERAPI

Boja, Kendal, Jawa Tengah
merapifoundry.com

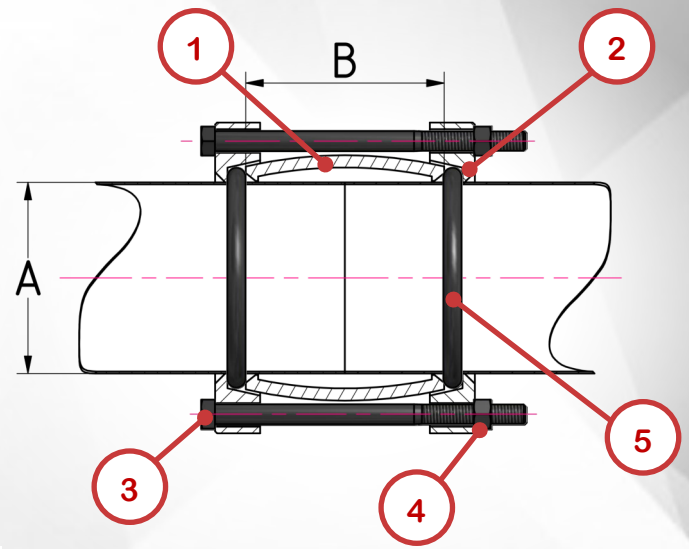


CLAMP SADDLE

NO	PART	QTY	MATERIAL
1	Upper Body	1	Gray Cast Iron FC 250
2	Lower Body	1	Gray Cast Iron FC 250
3	Bolt	2	Steel
4	Nut	2	Steel
5	Seal O-Ring	1	EPDM

Clamp Saddle "Merapi" uses gray cast iron material, with a weather resistant coating, allow for the addition of branch lines to existing piping systems in temporary or permanent installations.

PRODUCT TYPE	SIZE					PKG (QTY)	NW (Kg)
	A		B				
	Main Pipe Size	Outer ND (mm)	Split Pipe Size	Outer ND (mm)	Thread		
KS 1 x 1/2	1"	36	1/2"	25,0	1/2 -14 NPT	50	0,43
KS 1 x 3/4	1"	36	3/4"	29,6	3/4 -14 NPT	50	0,50
KS 1 1/4 x 1/2	1 1/4"	42	1/2"	25,0	1/2 -14 NPT	50	0,66
KS 1 1/4 x 3/4	1 1/4"	42	3/4"	29,6	3/4 -14 NPT	50	0,78
KS 1 1/4 x 1	1 1/4"	42	1"	36,0	1 -11 NPT	50	0,77
KS 1 1/2 x 1/2	1 1/2"	48	1/2"	25,0	1/2 -14 NPT	50	0,80
KS 1 1/2 x 3/4	1 1/2"	48	3/4"	29,6	3/4 -14 NPT	50	0,70
KS 2 x 1/2	2"	60	1/2"	25,0	1/2 -14 NPT	50	0,74
KS 2 x 3/4	2"	60	3/4"	29,6	3/4 -14 NPT	50	0,70
KS 2 x 1	2"	60	1"	36,0	1 -11 NPT	50	0,80
KS 2 x 1 1/2	2"	60	1 1/2"	48,0	1 1/2 -11 NPT	50	1,00
KS 2 1/2 x 1/2	2 1/2"	76	1/2"	25,0	1/2 -14 NPT	50	0,98
KS 2 1/2 x 3/4	2 1/2"	76	3/4"	29,6	3/4 -14 NPT	50	0,92
KS 2 1/2 x 1	2 1/2"	76	1"	36,0	1 -11 NPT	50	0,98
KS 3 x 1/2	3"	89	1/2"	25,0	1/2 -14 NPT	30	1,18
KS 3 x 3/4	3"	89	3/4"	29,6	3/4 -14 NPT	30	1,48
KS 3 x 1	3"	89	1"	36,0	1 -11 NPT	30	1,38
KS 3 x 1 1/2	3"	89	1 1/2"	48,0	1 1/2 -11 NPT	30	1,69
KS 3 x 2	3"	89	2"	60,0	2 -11 NPT	30	1,85
KS 4 x 1/2	4"	114	1/2"	25,0	1/2 -14 NPT	25	1,58
KS 4 x 3/4	4"	114	3/4"	29,6	3/4 -14 NPT	25	1,58
KS 4 x 1	4"	114	1"	36,0	1 -11 NPT	25	1,48
KS 4 x 1 1/2	4"	114	1 1/2"	48,0	1 1/2 -11 NPT	25	1,99
KS 4 x 2	4"	114	2"	60,0	2 -11 NPT	25	2,10
KS 6 x 1/2	6"	165	1/2"	25,0	1/2 -14 NPT	10	2,78
KS 6 x 3/4	6"	165	3/4"	29,6	3/4 -14 NPT	10	2,85
KS 6 x 1	6"	165	1"	36,0	1 -11 NPT	10	2,86
KS 6 x 2	6"	165	2"	60,0	2 -11 NPT	10	3,00

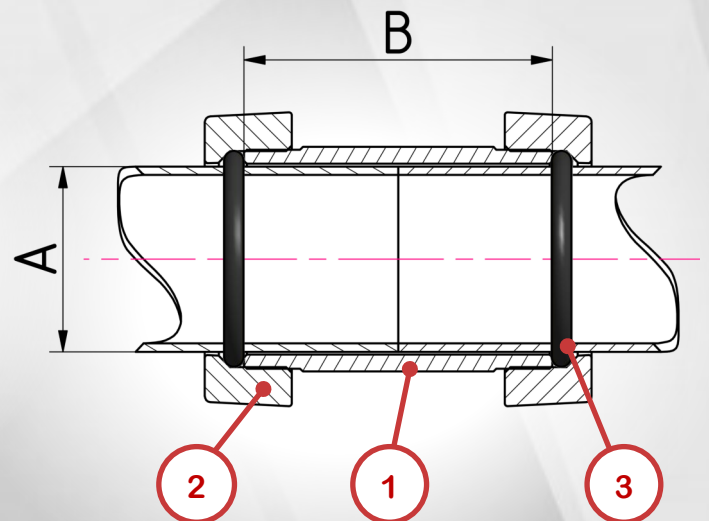


GIBALT JOINT

PRODUCT TYPE	Dimension			BOLT QTY	PKG (Pcs)	NW (Kg)
	A		B			
	PIPE SIZE	Outer ND (mm)	Sleeve Length			
GB ½	½"	25	60	3	50	0,31
GB ¾	¾"	29,6	60	3	50	0,37
GB 1	1"	36	60	3	50	0,51
GB 1¼	1¼"	46,6	70	3	20	0,66
GB 1½	1½"	52,6	75	3	15	0,81
GB 2	2"	64,6	115	3	10	1,40
GB 3	3"	95,2	115	3	6	1,88
GB 4	4"	122,2	115	4	4	2,61
GB 6	6"	177,8	120	4	2	5,03
GB 8	8"	232,6	130	4	-	10,31
GB 10	10"	287,6	150	4	-	15,33

Gibault joint "Merapi" uses gray cast iron material, with a weather resistant coating, used for connecting PVC pipe.

NO	PART	QTY	MATERIAL
1	Center Sleeve	1	Gray Cast Iron FC 250
2	End Ring	1	Gray Cast Iron FC 250
3	Bolt	varies*	Steel
4	Nut	varies*	Steel
5	Seal O-Ring	2	EPDM

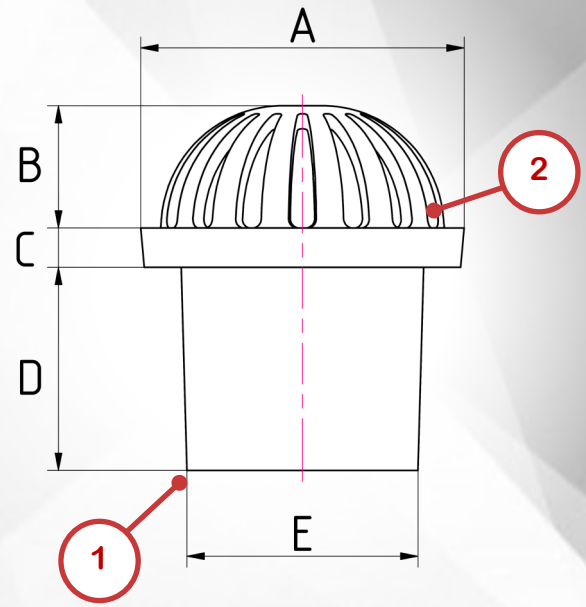
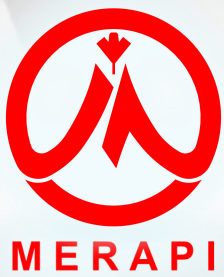


COMPRESSION JOINT

PRODUCT TYPE	DIMENSION			PKG (Pcs)	NW (Kg)
	A		B		
	PIPE SIZE	Outer ND (mm)	Sleeve Length		
Simple Joint ½	½"	25	85	50	0,457
Simple Joint ¾	¾"	29,6	85	50	0,484
Simple Joint 2	2"	64,6	110	15	1,345

Compression joint "Merapi" uses gray cast iron material, with a weather resistance coating, used for connecting two PVC pipe.

NO	PART	QTY	MATERIAL
1	Body Part	1	Gray Cast Iron FC 250
2	End Nut	1	Gray Cast Iron FC 250
3	Seal O-Ring	2	EPDM

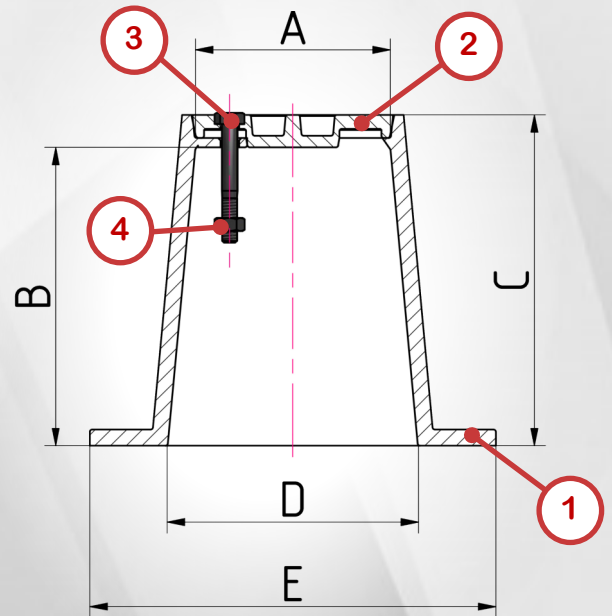


ROOF DRAIN

Roof Drain "Merapi" uses gray cast iron material, with a weather resistance coating. Used to get rid of excess water, roof drains also include a cast iron grate to prevent debris from blocking the flow of water down the drain.

PRODUCT TYPE	Dimension (mm)					PKG (Pcs)	NW (Kg)
	A	B	C	D	E		
Roof Drain 2	135	50	20	70	50	10	1,40
Roof Drain 3	140	50	20	85	75	8	2,20
Roof Drain 4	140	50	20	85	100	8	2,16

NO	PART	QTY	MATERIAL
1	Body Part	1	Gray Cast Iron FC 250
2	Drain	1	Gray Cast Iron FC 250



SURFACE BOX

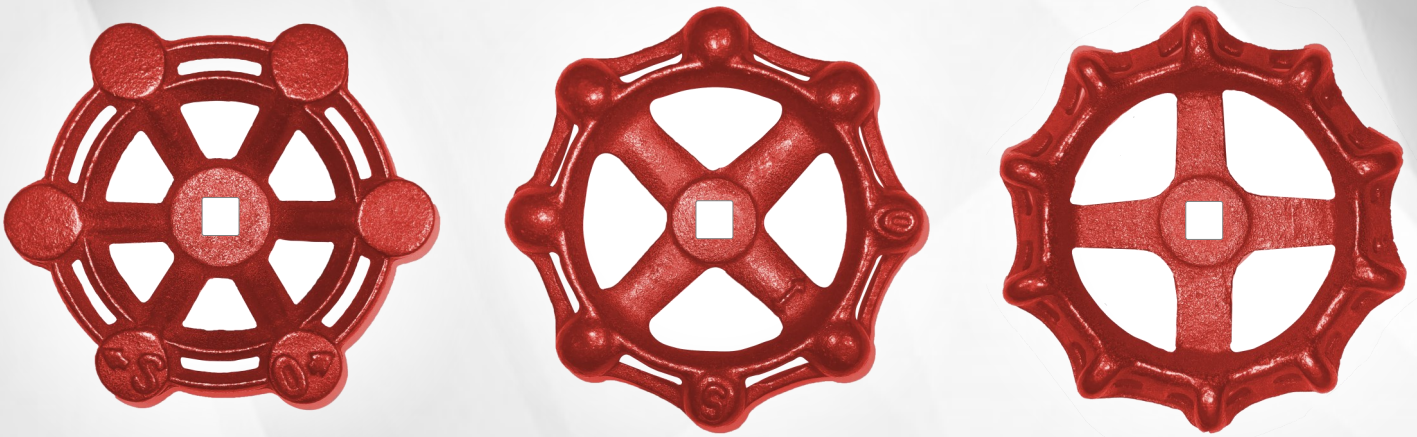
Surface Box "Merapi" uses gray cast iron material, with a weather resistance coating. Used as protective chamber for the operation of buried valves used for water distribution.

PRODUCT TYPE	Dimension (mm)					PKG (Pcs)	NW (Kg)
	A	B	C	D	E		
Street Box 2	70	120	130	83	155	8	1,88
Street Box 3	85	135	145	110	175	8	2,91
Street Box 4	110	150	160	135	210	3	4,71
Street Box 6	135	198	210	165	245	2	6,86
Street Box 8	205	200	215	240	340	1	11,69

NO	NAMA	QTY	MATERIAL
1	Body	1	Gray Cast Iron FC 250
2	Cover Plate	1	Gray Cast Iron FC 250
3	Bolt ¼ x1½	1	Steel
4	Nut ¼	1	Steel

METAL WHEEL HANDLE

Metal Wheel Handle “Merapi” uses gray cast iron material, with a weather resistance coating. Used for control the valve of the water distribution. Available for valve pipe sizes 1/2 to 4 inch.



OTHER PIPELINE PRODUCTS

We also producing other gray cast iron product according to customer request and spesification.

