



MERAPI PIPELINE PRODUCT

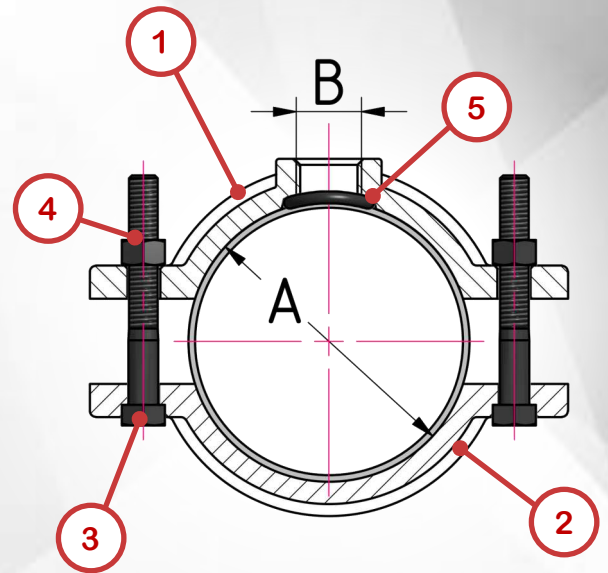
CATALOG 2022



Produced by :

CV MERAPI

Boja, Kendal, Jawa Tengah
merapifoundry.com

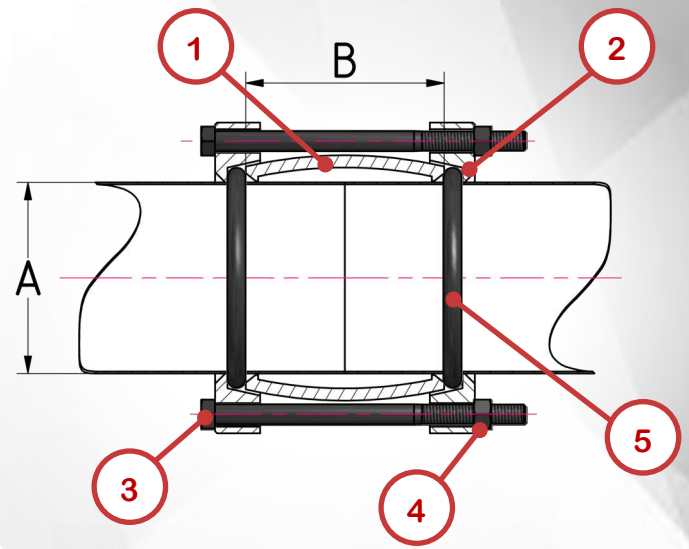


CLAMP SADDLE

| NO | PART | QTY | MATERIAL |
|----|-------------|-----|-----------------------|
| 1 | Upper Body | 1 | Gray Cast Iron FC 250 |
| 2 | Lower Body | 1 | Gray Cast Iron FC 250 |
| 3 | Bolt | 2 | Steel |
| 4 | Nut | 2 | Steel |
| 5 | Seal O-Ring | 1 | EPDM |

Clamp Saddle "Merapi" uses gray cast iron material, with a weather resistant coating, allow for the addition of branch lines to existing piping systems in temporary or permanent installations.

| PRODUCT TYPE | SIZE | | | | | PKG (QTY) | NW (Kg) |
|----------------|----------------|---------------|-----------------|---------------|---------------|-----------|---------|
| | A | | B | | | | |
| | Main Pipe Size | Outer ND (mm) | Split Pipe Size | Outer ND (mm) | Thread | | |
| KS 1 x 1/2 | 1" | 36 | 1/2" | 25,0 | 1/2 -14 NPT | 50 | 0,43 |
| KS 1 x 3/4 | 1" | 36 | 3/4" | 29,6 | 3/4 -14 NPT | 50 | 0,50 |
| KS 1 1/4 x 1/2 | 1 1/4" | 42 | 1/2" | 25,0 | 1/2 -14 NPT | 50 | 0,66 |
| KS 1 1/4 x 3/4 | 1 1/4" | 42 | 3/4" | 29,6 | 3/4 -14 NPT | 50 | 0,78 |
| KS 1 1/4 x 1 | 1 1/4" | 42 | 1" | 36,0 | 1 -11 NPT | 50 | 0,77 |
| KS 1 1/2 x 1/2 | 1 1/2" | 48 | 1/2" | 25,0 | 1/2 -14 NPT | 50 | 0,80 |
| KS 1 1/2 x 3/4 | 1 1/2" | 48 | 3/4" | 29,6 | 3/4 -14 NPT | 50 | 0,70 |
| KS 2 x 1/2 | 2" | 60 | 1/2" | 25,0 | 1/2 -14 NPT | 50 | 0,74 |
| KS 2 x 3/4 | 2" | 60 | 3/4" | 29,6 | 3/4 -14 NPT | 50 | 0,70 |
| KS 2 x 1 | 2" | 60 | 1" | 36,0 | 1 -11 NPT | 50 | 0,80 |
| KS 2 x 1 1/2 | 2" | 60 | 1 1/2" | 48,0 | 1 1/2 -11 NPT | 50 | 1,00 |
| KS 2 1/2 x 1/2 | 2 1/2" | 76 | 1/2" | 25,0 | 1/2 -14 NPT | 50 | 0,98 |
| KS 2 1/2 x 3/4 | 2 1/2" | 76 | 3/4" | 29,6 | 3/4 -14 NPT | 50 | 0,92 |
| KS 2 1/2 x 1 | 2 1/2" | 76 | 1" | 36,0 | 1 -11 NPT | 50 | 0,98 |
| KS 3 x 1/2 | 3" | 89 | 1/2" | 25,0 | 1/2 -14 NPT | 30 | 1,18 |
| KS 3 x 3/4 | 3" | 89 | 3/4" | 29,6 | 3/4 -14 NPT | 30 | 1,48 |
| KS 3 x 1 | 3" | 89 | 1" | 36,0 | 1 -11 NPT | 30 | 1,38 |
| KS 3 x 1 1/2 | 3" | 89 | 1 1/2" | 48,0 | 1 1/2 -11 NPT | 30 | 1,69 |
| KS 3 x 2 | 3" | 89 | 2" | 60,0 | 2 -11 NPT | 30 | 1,85 |
| KS 4 x 1/2 | 4" | 114 | 1/2" | 25,0 | 1/2 -14 NPT | 25 | 1,58 |
| KS 4 x 3/4 | 4" | 114 | 3/4" | 29,6 | 3/4 -14 NPT | 25 | 1,58 |
| KS 4 x 1 | 4" | 114 | 1" | 36,0 | 1 -11 NPT | 25 | 1,48 |
| KS 4 x 1 1/2 | 4" | 114 | 1 1/2" | 48,0 | 1 1/2 -11 NPT | 25 | 1,99 |
| KS 4 x 2 | 4" | 114 | 2" | 60,0 | 2 -11 NPT | 25 | 2,10 |
| KS 6 x 1/2 | 6" | 165 | 1/2" | 25,0 | 1/2 -14 NPT | 10 | 2,78 |
| KS 6 x 3/4 | 6" | 165 | 3/4" | 29,6 | 3/4 -14 NPT | 10 | 2,85 |
| KS 6 x 1 | 6" | 165 | 1" | 36,0 | 1 -11 NPT | 10 | 2,86 |
| KS 6 x 2 | 6" | 165 | 2" | 60,0 | 2 -11 NPT | 10 | 3,00 |

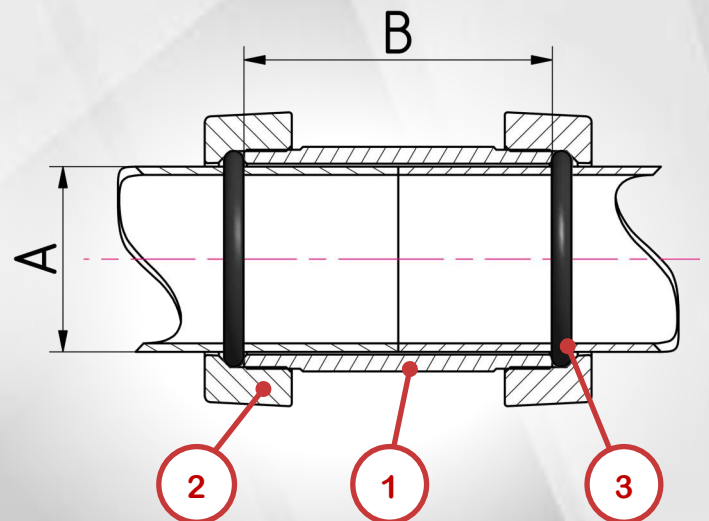


GIBAULT JOINT

| PRODUCT TYPE | Dimension | | | BOLT QTY | PKG (Pcs) | NW (Kg) |
|--------------|-----------|---------------|---------------|----------|-----------|---------|
| | A | | B | | | |
| | PIPE SIZE | Outer ND (mm) | Sleeve Length | | | |
| GB ½ | ½" | 25 | 60 | 3 | 50 | 0,31 |
| GB ¾ | ¾" | 29,6 | 60 | 3 | 50 | 0,37 |
| GB 1 | 1" | 36 | 60 | 3 | 50 | 0,51 |
| GB 1¼ | 1¼" | 46,6 | 70 | 3 | 20 | 0,66 |
| GB 1½ | 1½" | 52,6 | 75 | 3 | 15 | 0,81 |
| GB 2 | 2" | 64,6 | 115 | 3 | 10 | 1,40 |
| GB 3 | 3" | 95,2 | 115 | 3 | 6 | 1,88 |
| GB 4 | 4" | 122,2 | 115 | 4 | 4 | 2,61 |
| GB 6 | 6" | 177,8 | 120 | 4 | 2 | 5,03 |
| GB 8 | 8" | 232,6 | 130 | 4 | - | 10,31 |
| GB 10 | 10" | 287,6 | 150 | 4 | - | 15,33 |

Gibault joint "Merapi" uses gray cast iron material, with a weather resistant coating, used for connecting PVC pipe.

| NO | PART | QTY | MATERIAL |
|----|---------------|---------|-----------------------|
| 1 | Center Sleeve | 1 | Gray Cast Iron FC 250 |
| 2 | End Ring | 1 | Gray Cast Iron FC 250 |
| 3 | Bolt | varies* | Steel |
| 4 | Nut | varies* | Steel |
| 5 | Seal O-Ring | 2 | EPDM |

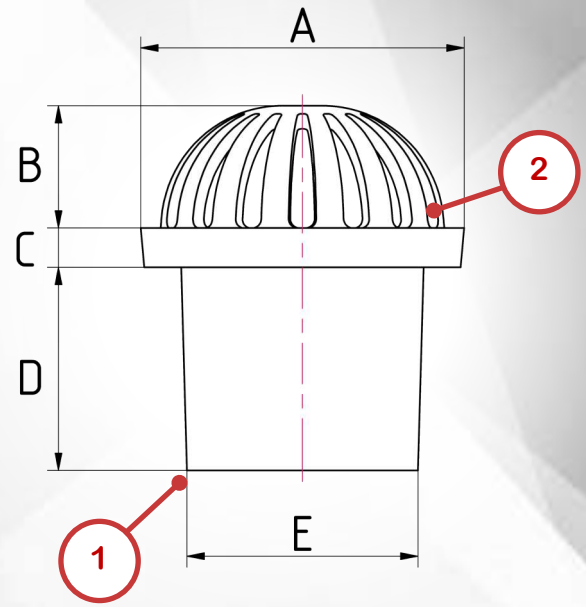


COMPRESSION JOINT

| PRODUCT TYPE | DIMENSION | | | PKG (Pcs) | NW (Kg) |
|----------------|-----------|---------------|---------------|-----------|---------|
| | A | | B | | |
| | PIPE SIZE | Outer ND (mm) | Sleeve Length | | |
| Simple Joint ½ | ½" | 25 | 85 | 50 | 0,457 |
| Simple Joint ¾ | ¾" | 29,6 | 85 | 50 | 0,484 |
| Simple Joint 2 | 2" | 64,6 | 110 | 15 | 1,345 |

Compression joint "Merapi" uses gray cast iron material, with a weather resistance coating, used for connecting two PVC pipe.

| NO | PART | QTY | MATERIAL |
|----|-------------|-----|-----------------------|
| 1 | Body Part | 1 | Gray Cast Iron FC 250 |
| 2 | End Nut | 1 | Gray Cast Iron FC 250 |
| 3 | Seal O-Ring | 2 | EPDM |

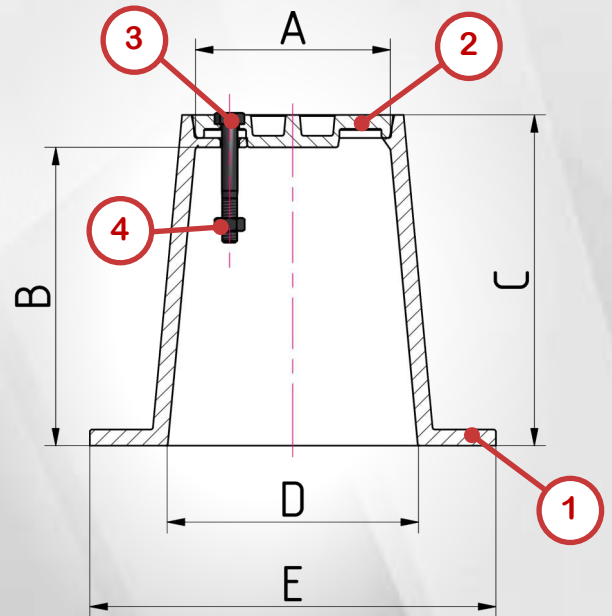


ROOF DRAIN

Roof Drain "Merapi" uses gray cast iron material, with a weather resistance coating. Used to get rid of excess water, roof drains also include a cast iron grate to prevent debris from blocking the flow of water down the drain.

| PRODUCT TYPE | Dimension (mm) | | | | | PKG (Pcs) | NW (Kg) |
|--------------|----------------|----|----|----|-----|-----------|---------|
| | A | B | C | D | E | | |
| Roof Drain 2 | 135 | 50 | 20 | 70 | 50 | 10 | 1,40 |
| Roof Drain 3 | 140 | 50 | 20 | 85 | 75 | 8 | 2,20 |
| Roof Drain 4 | 140 | 50 | 20 | 85 | 100 | 8 | 2,16 |

| NO | PART | QTY | MATERIAL |
|----|-----------|-----|-----------------------|
| 1 | Body Part | 1 | Gray Cast Iron FC 250 |
| 2 | Drain | 1 | Gray Cast Iron FC 250 |



SURFACE BOX

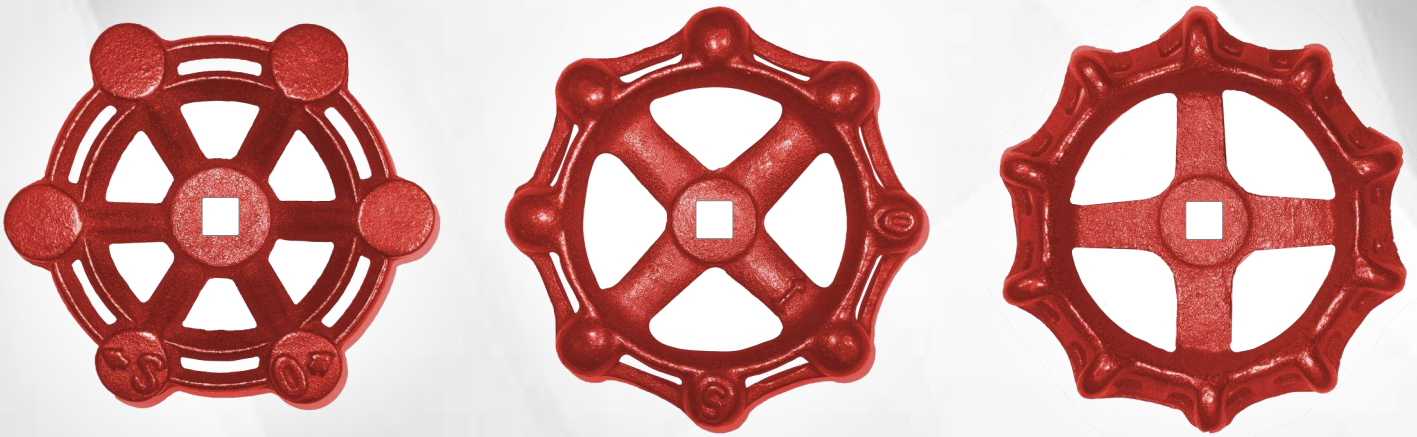
Surface Box "Merapi" uses gray cast iron material, with a weather resistance coating. Used as protective chamber for the operation of buried valves used for water distribution.

| PRODUCT TYPE | Dimension (mm) | | | | | PKG (Pcs) | NW (Kg) |
|--------------|----------------|-----|-----|-----|-----|-----------|---------|
| | A | B | C | D | E | | |
| Street Box 2 | 70 | 120 | 130 | 83 | 155 | 8 | 1,88 |
| Street Box 3 | 85 | 135 | 145 | 110 | 175 | 8 | 2,91 |
| Street Box 4 | 110 | 150 | 160 | 135 | 210 | 3 | 4,71 |
| Street Box 6 | 135 | 198 | 210 | 165 | 245 | 2 | 6,86 |
| Street Box 8 | 205 | 200 | 215 | 240 | 340 | 1 | 11,69 |

| NO | NAMA | QTY | MATERIAL |
|----|-------------|-----|-----------------------|
| 1 | Body | 1 | Gray Cast Iron FC 250 |
| 2 | Cover Plate | 1 | Gray Cast Iron FC 250 |
| 3 | Bolt ¼ x 1½ | 1 | Steel |
| 4 | Nut ¼ | 1 | Steel |

METAL WHEEL HANDLE

Metal Wheel Handle “Merapi” uses gray cast iron material, with a weather resistance coating. Used for control the valve of the water distribution. Available for valve pipe sizes 1/2 to 4 inch.



OTHER PIPELINE PRODUCTS

We also producing other gray cast iron product according to customer request and spesification.

